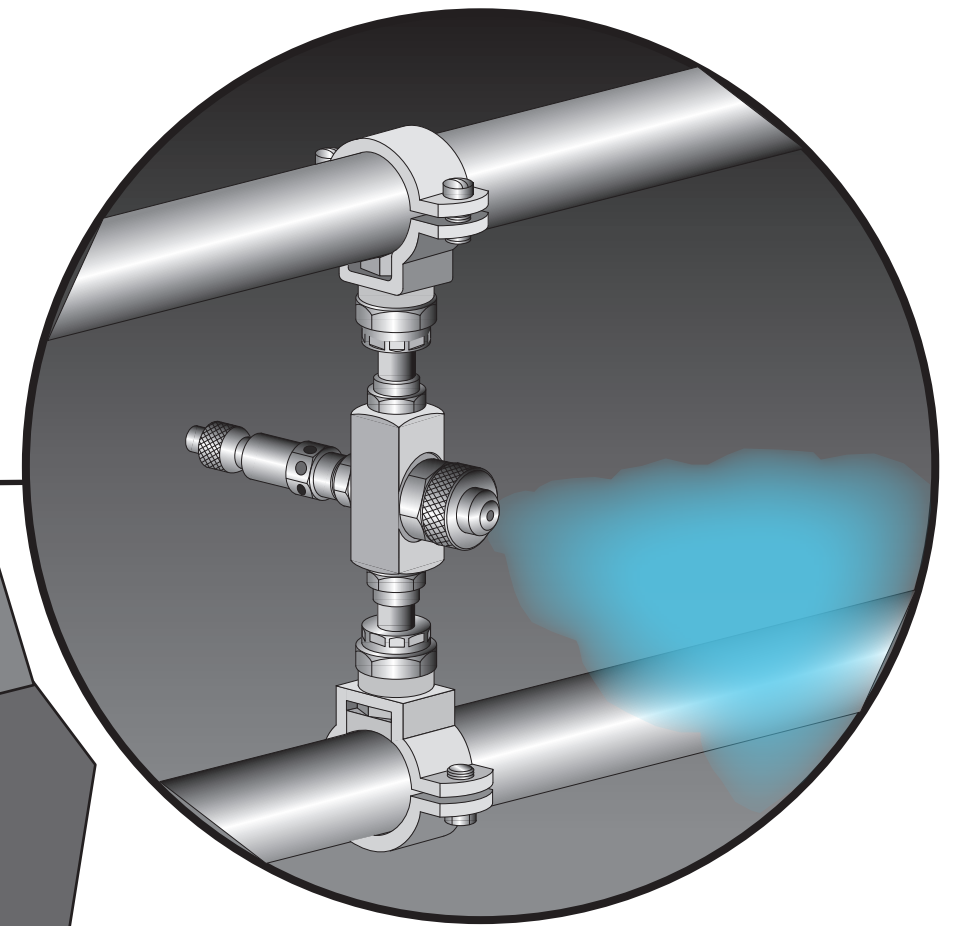


11' Fogging Spray Header Assembly



11005-1/4J-80
Air Atomizing Spray Nozzle

Mining Shaft

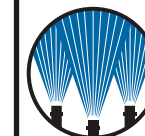
Objective: Knockdown of airborne dust in mining shafts.

Solution: Spray fine droplets from multiple spray nozzles installed on pipe header located at upper part of shaft vertical wall.

Equipment: 11005-1/4J air atomizing nozzle bodies with clean-out needles spaced approximately 12" apart. Split-eyelet union connectors are used with solid air and liquid piping with tip strainer assembly in liquid line inlet.

DESCRIPTION:

**SPRAY FOGGING SYSTEM FOR
DUST CONTROL IN MINING SHAFTS**



Spraying Systems Co.®

Spray Nozzles and Accessories
P.O. Box 7900 - Wheaton, IL. 60189-7900

Rev. No.

Ref.

Application Drawing No.

45687