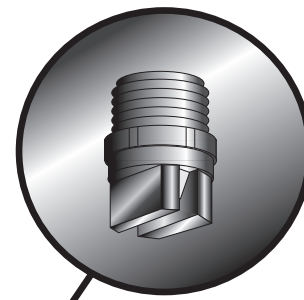
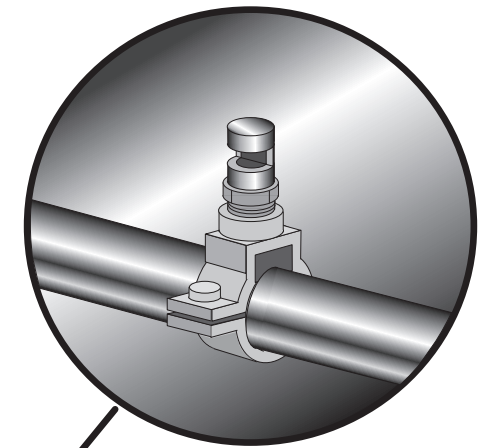


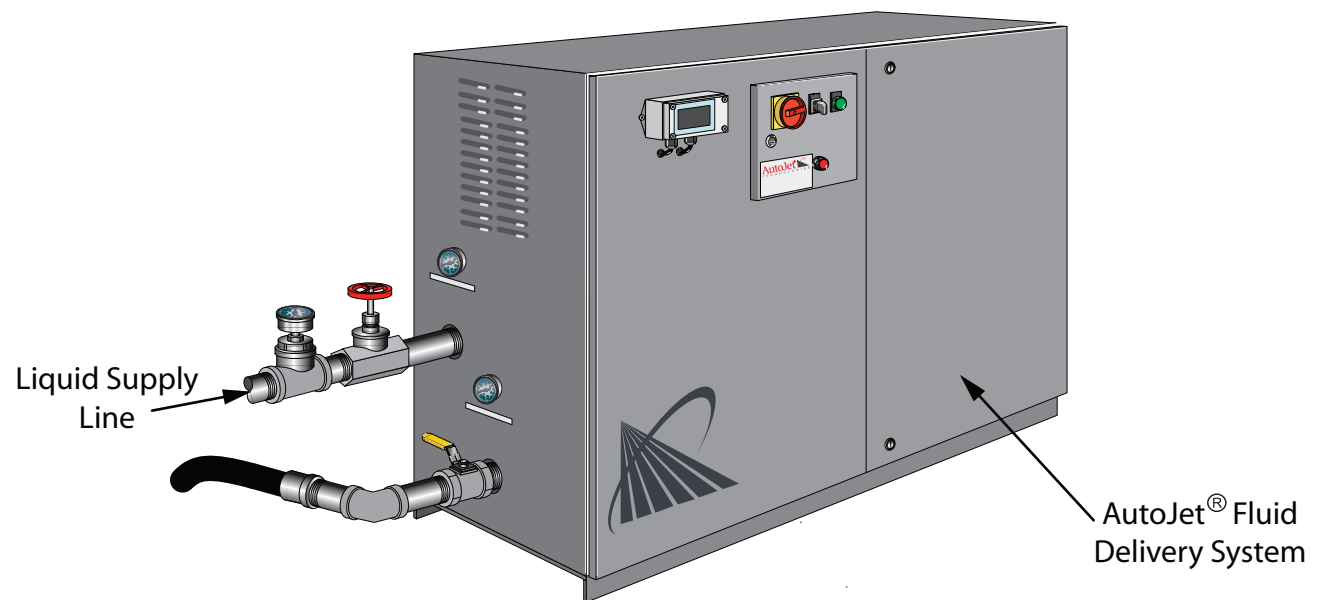
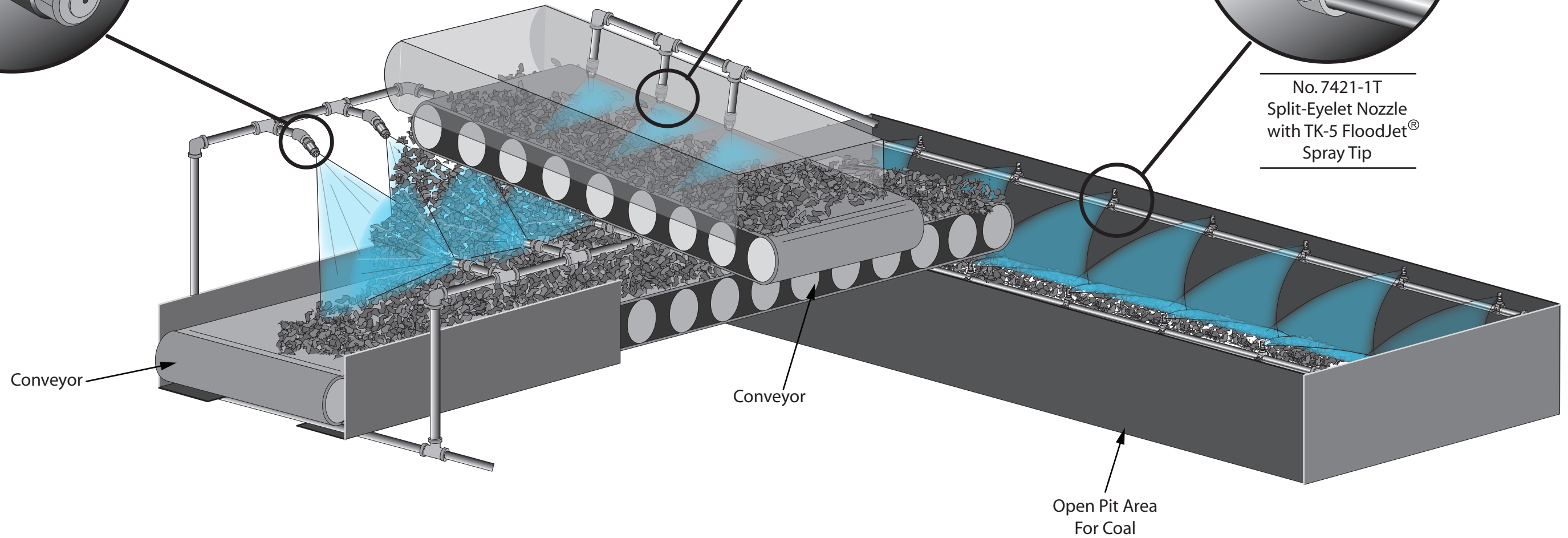
WhirlJet® Spray Nozzle
or 1/4LNN Hydraulic
Atomizing Spray Nozzle



VeeJet® Hydraulic Atomizing
Flat Spray Nozzles



No. 7421-1T
Split-Eyelet Nozzle
with TK-5 FloodJet®
Spray Tip



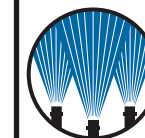
AutoJet® Fluid
Delivery System

Objective: Minimize dust along conveyor length, at transfer points, and at open pit area.

Solution: Spray medium to fine droplets based on production quantity.

Equipment: Flat spray nozzles positioned above conveyor, hollow cone spray nozzles positioned on either side of material drop. Whirljet nozzles for large material throughput and 1/4LNN fine spray moderate material throughput. FloodJet nozzles are positioned to spray on open pit area.

DESCRIPTION:
**COAL AND ORE DUST CONTROL
AT TRANSFER POINTS ON
CONVEYORS AND OPEN PIT
COAL MINING AREA**



Spraying Systems Co.®
Spray Nozzles and Accessories
P.O. Box 7900 - Wheaton, IL. 60189-7900

Rev. No.

Ref.

Application Drawing No.

6426-2