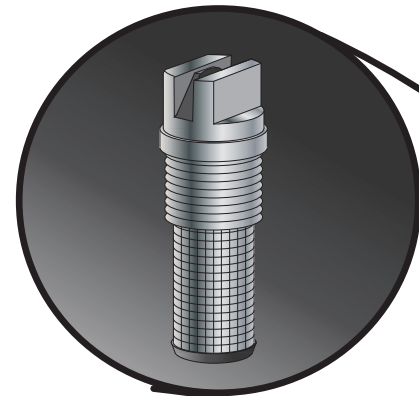
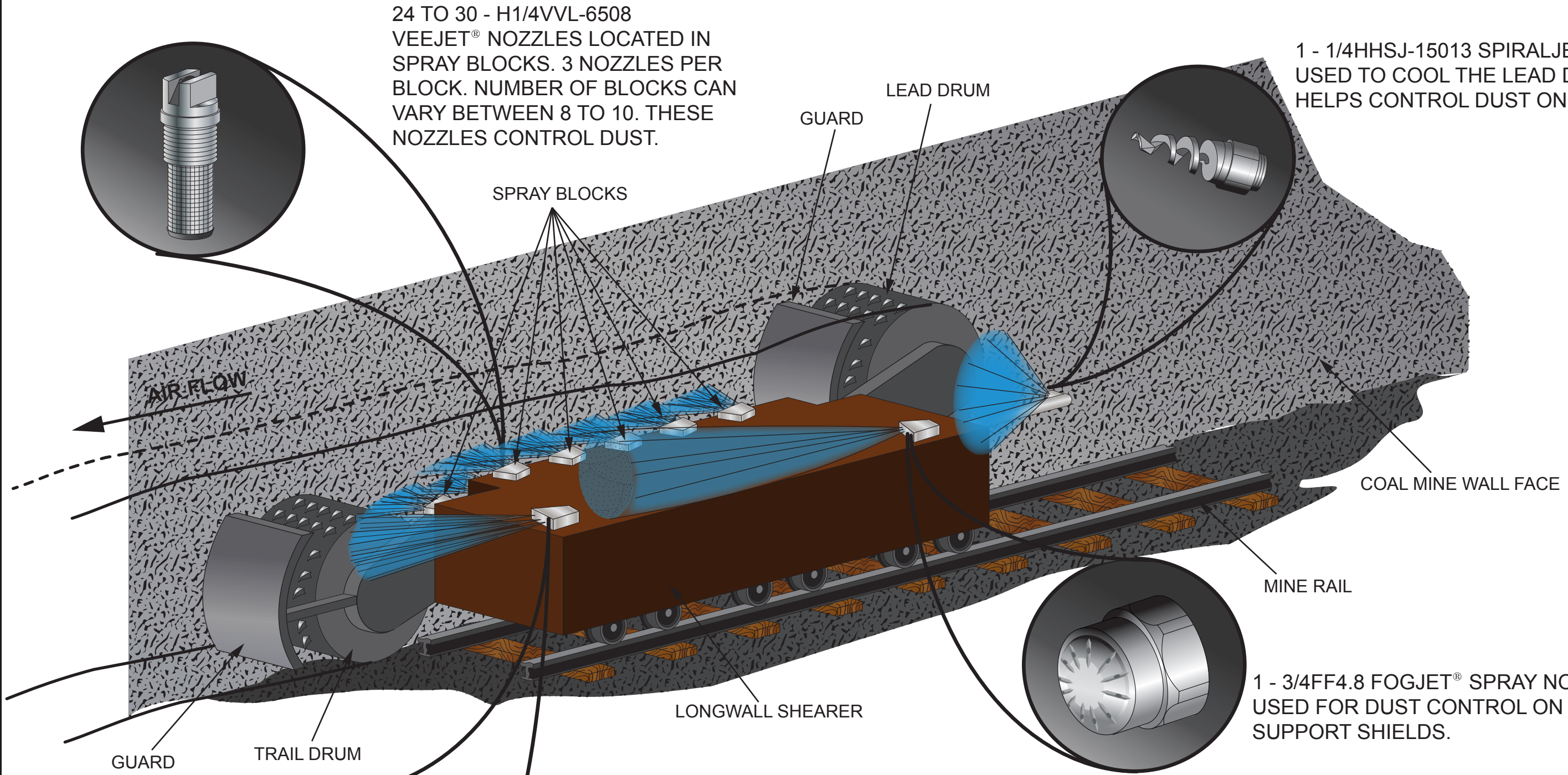
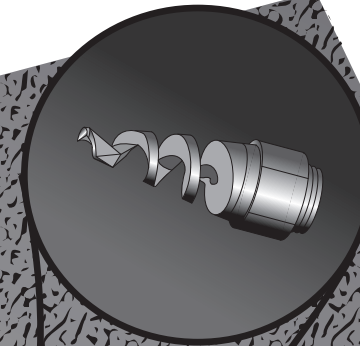


24 TO 30 - H1/4VVL-6508
VEEJET® NOZZLES LOCATED IN
SPRAY BLOCKS. 3 NOZZLES PER
BLOCK. NUMBER OF BLOCKS CAN
VARY BETWEEN 8 TO 10. THESE
NOZZLES CONTROL DUST.



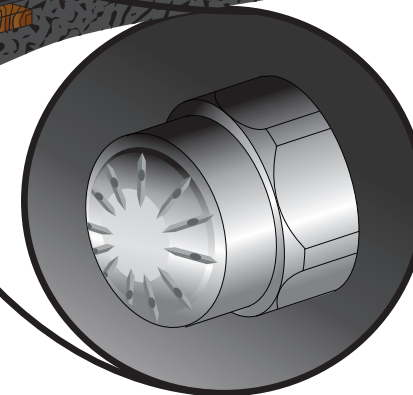
1 - 1/4HHSJ-15013 SPIRALJET® NOZZLE
USED TO COOL THE LEAD DRUM. IT ALSO
HELPS CONTROL DUST ON FACE CUT.



LONGWALL SHEARER

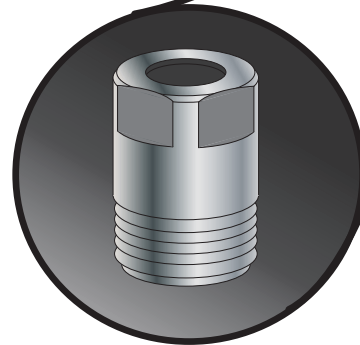
MINE RAIL

1 - 3/4FF4.8 FOGJET® SPRAY NOZZLE
USED FOR DUST CONTROL ON ROOF
SUPPORT SHIELDS.



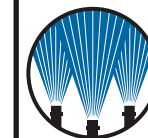
GUARD TRAIL DRUM

3 - 1/4HHX-10 FULLJET® NOZZLE WITH
STAKED VANE. LOCATED IN SPRAY BLOCK
AND USED TO COOL TRAIL DRUM WHEN
CUTTING IN REVERSE.



SPRAYING PRESSURE - 100 TO 500 PSI (7 TO 35 bar)

DESCRIPTION:
COOLING AND DUST
CONTROL FOR A LONGWALL
SHEARER MINE CUTTING MACHINE



Spraying Systems Co.®
Spray Nozzles and Accessories
P.O. Box 7900 - Wheaton, IL. 60189-7900

Rev. No. 1

Ref.

Application Drawing No.

36748